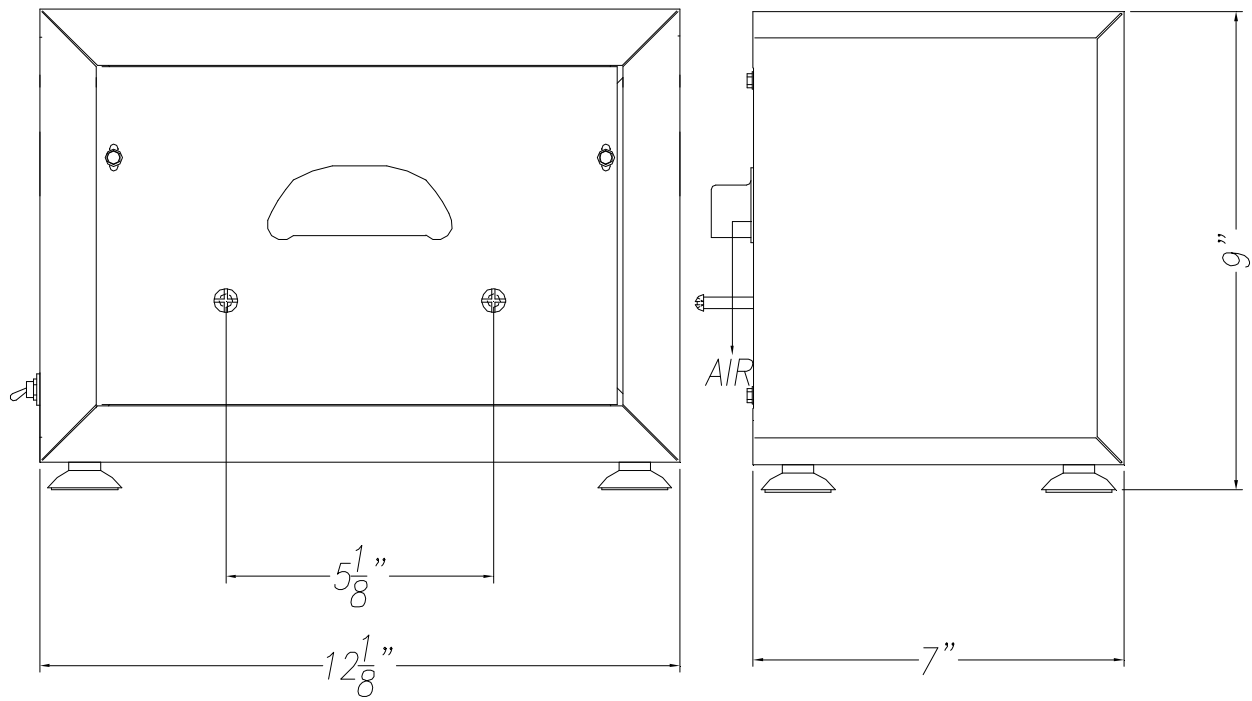


Model 3044 Floss Bagger



Electrical Requirements:

- 60 watts 120v, 60Hz.
- 15 Amp Plug, (NEMA 5-15P), 5 Ft. Long

Features:

- Suction Cup Feet

**Gold Medal Products Co.**  
10700 Medallion Drive  
Cincinnati, Ohio 45241-4807  
Email: [info@gmpopcorn.com](mailto:info@gmpopcorn.com)  
Phone: (800) 543-0862 Fax: (800) 542-1496